

## CE. IP67/44 WITH BLOWER

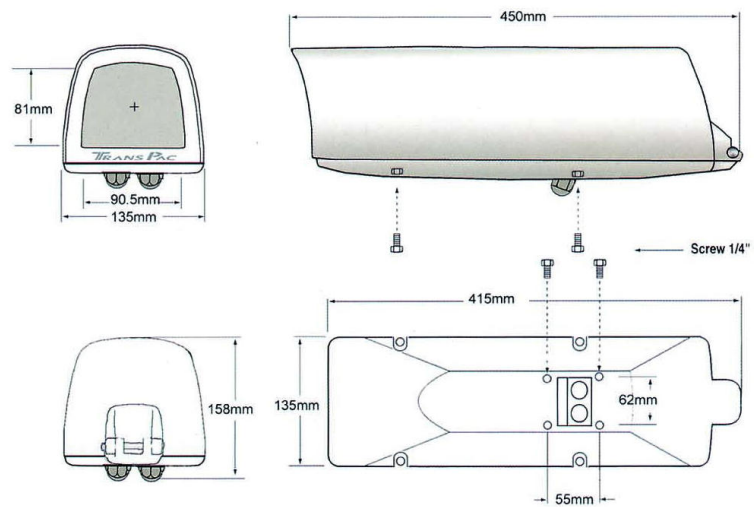


1. Fully-cable management system with swivel bracket BR-19.
2. Pressure die-cast aluminum alloy construction with light ivory powder coating & stove finished.
3. Weatherproof to level IP67. (dust tight, proof against powerful water jets)
4. Equipped with IP 68 cable glands, prefitted spare terminal and fuse block.
5. Adjustable sliding camera tray & sealed cable entry glands.
6. Suitable for indoor/outdoor installation, user friendly.

## FRONT-TO-BACK OPEN CCTV CAMERA ENCLOSURE



Camera Installation Space  
270X100X90(LXWXH)mm



Model No.	Single heater Turn on at 18°C Turn off at 28°C		Double heaters * 1. Turn on at 18°C Turn off at 28°C 2. Turn on at 0°C Turn off at 10°C		Blower (IP 44) Turn on at 35°C Turn off at 25°C		PSU (power supply unit) 80-260Vac	
	12/24V	110/230V	12/24V	110/230V	12Vdc	24Vac**	080***	880****
TPH 5000								
TPH 5000-12/24HS	●							
TPH 5000-12/24HD			●					
TPH 5000-012/F					●			
TPH 5000-024/F						●		
TPH 5000-012/HF	●				●			
TPH 5000-024/HF	●					●		
TPH 5000-110/230HS		●						
TPH 5000-110/230HD				●				
TPH 5000-080/HS	●						●	
TPH 5000-080/HD			●				●	
TPH 5000-080/F					●		●	
TPH 5000-080/HF	●				●		●	
TPH 5000-880/F					●			●
TPH 5000-880/HF		●			●			●

\* First heater prevents moisture on the window glass till weather temperature - 25°C, second heaters is heating in enclosure for camera operation properly till weather temperature - 40°C  
 \*\* Using 24Vac/24Vdc converter  
 \*\*\* Rating current of 080 is 3.5 Amp with 4x12Vdc output  
 \*\*\*\* Rating current of 880 is 800mA with 1x12Vdc output