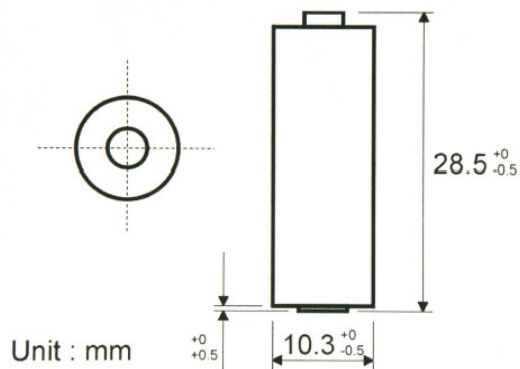


		conditions, remarks
nominal voltage:	12,0V	
off load voltage	12,2... 12,8V	new battery
	12,2... 12,5V	after 12 months
nominal capacity:	54mAh	continuous discharge
		under 20Kohm load
		7,2V end discharge voltage
		ambient temperature 20...25 °C
duration time:		
initial	under 20Kohm load	7,2V end discharge voltage
after 12 months	> 100hrs	at 20 °C
	> 90hrs	
temperature range:	-20... 60 °C	operating temperature
	10... 30 °C	storage (recommended)
mechanical specifications:		
weight	approx. 7,5g	

dimensions:



mechanical specifications(blister card):

dimension: 50mm x 70mm
total weight: approx. 9g

	specifications for model/type:	A23 Alkaline battery
	Ansmann drawing number / part number:	5015182
		V1
	author / date:	Gramlich / 13.08.2007