

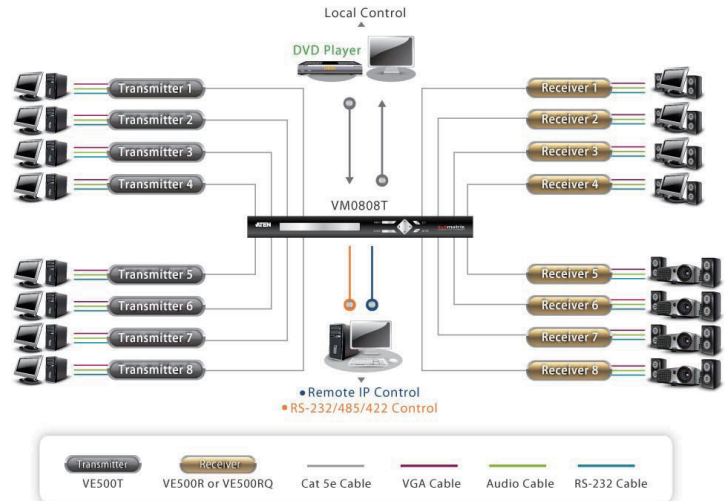
VM0808T

8x8 Cat 5 A/V Matrix Switch

The ATEN VM0808T 8x8 Cat 5 A/V Matrix Switch is a versatile audio/video over Cat 5 + serial solution that offers an easy and affordable way to route any of 8 audio/video sources to any of 8 displays, in combination with the ATEN VE500 A/V Over Cat 5 Extender system.

With eight Cat 5 A/V input ports, the VM0808T allows you to connect eight source devices (via eight VE500T transmitters) to eight monitors, displays, or projectors (via eight VE500R / VE500RQ receivers) at the same time. In addition to the eight Cat 5 connections, the unit is also enabled with local audio/video inputs/outputs so that an extra source device and monitor located in the same rack as the VM0808T can function as a further transmitter and receiver.

Setup



Features

- Connects any of 8 Cat 5 A/V inputs to any of 8 Cat 5 A/V outputs in combination with ATEN VE500 A/V Over Cat 5 Extender system
- Long signal range – supports up to 300 meters between VE500T transmitters and VE500R / VE500RQ receivers
- **Easily switch between multiple sources and multiple displays**
- Local Operation:
 - Front panel LCD display and pushbuttons
 - Serial controller
- Remote Operation:
 - Browser-based Graphical User Interface (GUI)
 - Telnet
- **Supports additional local input and local display – provides an extra input / output source**
- Supports Video Quality – up to 1920 x 1200@60Hz; DDC2B
- Supports stereo and balanced audio
- **Automatic and adjustable video and audio quality**
- Independent switching of audio and video sources – any audio source can be connected to any video source for output flexibility
- Firmware upgradeable
- Rack Mountable

Specifications

Function		VM0808T	
Input Connections	Direct	1 (local)	
	Max.	9 (1 x local input; 8 x VE500T Transmitter)	
Display Connections	Direct	1	
	Max.	9 (1 x local display; 8 x VE500R/RQ Receiver)	
Connectors	Local	Audio In	Balanced: 1 x Captive Screw Connector, 5 pole Stereo: 1 x Mini Stereo Jack Female (Green)
		Video In	1 x HDB-15 Male (Blue)
			Balanced: 1 x Captive Screw Connector, 5 pole Stereo: 1 x Mini Stereo Jack Female (Green)
		Video Out	1 x HDB-15 Female (Blue)
	Unit to Unit	A/V In	8 x RJ-45 Female
		A/V Out	8 x RJ-45 Female
	Ethernet	1 x RJ-45 Female	
	Serial	RS-232	1 x DB-9 Female (Black); 1 x DB-9 Male (Black)
		RS-485 / RS-422	1 x Captive Screw Connector, 5 pole
	Power	1 x 3-prong AC Socket	
Switches	Up / Down / Left / Right	4 x Pushbutton	
	Menu	1 x Pushbutton	
	Audio	1 x Pushbutton	
	Esc	1 x Pushbutton	
	Enter	1 x Pushbutton	
	Power	1 x Rocker	
Display	1 x LCD Display (Green)		
LEDs	Menu	1 (Blue)	
	Audio	1 (Blue)	
	Up / Down / Left / Right	4 (Blue)	
Power Consumption		110V / 16W; 220V / 17W	
Environment	Operating Temp.	0–50°C	
	Storage Temp.	-20–60°C	
	Humidity	0–80% RH, Non-condensing	
Physical Properties	Housing	Metal	
	Weight	3.50 kg	
	Dimensions (L x W x H)	43.20 x 25.30 x 4.40 cm	

* Product specifications and appearance are subject to change without notice.