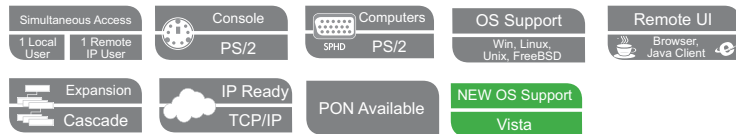
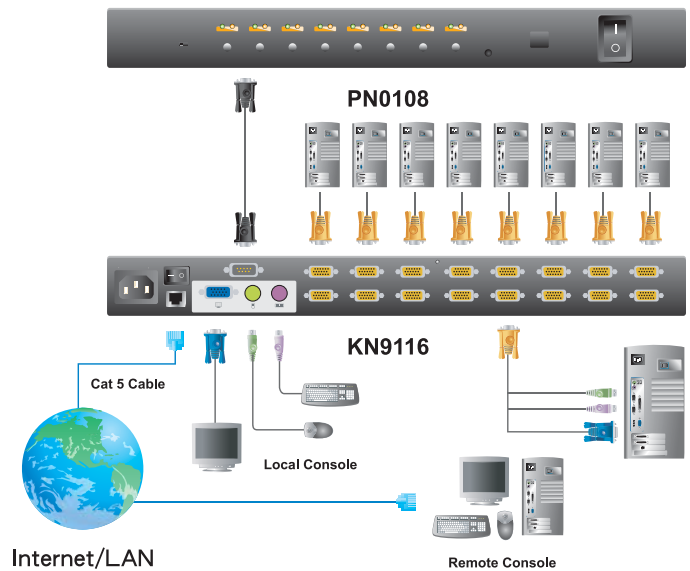


ALTUSCN™ KN9108/KN9116

8/16-Port KVM Over the NET™



Diagram



Features

- 8 (KN9108) / 16 (KN9116) port remote access KVM switch— monitor and control up to 8 / 16 computers from a single KVM (Keyboard, Video, Mouse) console
- Remotely access computers via LAN, WAN, or the Internet — control your installation when and where you want
- Dual-bus: one local and one remote administrator can simultaneously control separate ports
- Internet browser access, Windows Client and Java Client provided; Java Client works with most operating systems
- Graphical OSD and graphical toolbars for convenient, user-friendly operation
- Cascadable up to 2 levels* — provides up to 64/128 computers
- Up to 64 user accounts — up to 32 concurrent logins
- Panel Array Mode — view all 8 or 16 ports at the same time
- Message board feature allows logged in users to communicate with each other and allows a user to take exclusive control of the KVM functions
- Windows-based Log Server
- Remote power control for attached Power over the Net™ devices
- Three level security: multiadministrator; multiuser; multiviewer
- Advanced security features include password protection and advanced encryption technologies - 1024 bit RSA, 256 bit AES, 56 bit DES, and 128 bit SSL
- RADIUS server support
- Flash upgradable firmware over network connection
- Ports can be set to Exclusive, Occupy and Share
- Network Interfaces: TCP/IP, HTTP, HTTPS, UDP, RADIUS, DHCP, SSL, ARP, DNS, 10Base-T/100Base-TX, auto sense, Ping.
- Detachable front panel for easy access to front and rear of unit
- High video resolution: up to 1280 x 1024 @ 75Hz; 1600 x 1200 @ 60Hz

* Compatible KVM Switches: KH98, CS9134, CS9138, CS88A

Specifications

Function		KN9108	KN9116
Computer Connections		8	16
Console Connections	Local		1
	Remote		1
Port Selection		OSD, Hotkey, Pushbutton	
Connectors	Console Ports	Keyboard	1 x 6-pin Mini-DIN Female (Purple)
		Video	1 x HDB-15 Female (Blue)
		Mouse	1 x 6-pin Mini-DIN Female (Green)
	KVM Ports	8 x SPHD-15 Female (Yellow)	16 x SPHD-15 Female (Yellow)
Switches	Power	1 x 3-prong AC Socket	
	LAN	1 x RJ-45 Female (Black)	
	PON	1 x DB-9 Male (Black)	
	Reset	1 x Semi-recessed Pushbutton	
LEDs	Power	1 x Rocker	
	Port Selection	2 x Pushbutton	
	On Line	8 (Green)	16 (Green)
	Selected	8 (Orange)	16 (Orange)
Emulation	Power	1 (Blue)	
	Link	1 (Green)	
	10 / 100 Mbps	1 (Orange/Green)	
Keyboard/Mouse		PS/2	
Video		1600 x 1200 @60Hz; DDC2B	
Scan Interval		1-255 Seconds	
I/P Rating		100-240 VAC; 50/60Hz; 0.25A	
Power Consumption		120V/12 W ; 230V/ 12W	
Environment	Operating Temp.	0- 40 °C	
	Storage Temp.	-20- 60 °C	
	Humidity	0-80% RH, Non-condensing	
Physical Properties	Housing	Metal	
	Weight	4.00 kg	4.20 kg
	Dimensions (L x W x H)	43.72 x 26.00 x 4.40 cm (19"/1U)	

* The specifications and pictures are subject to change without notice.