

CL1000N

LCD Console

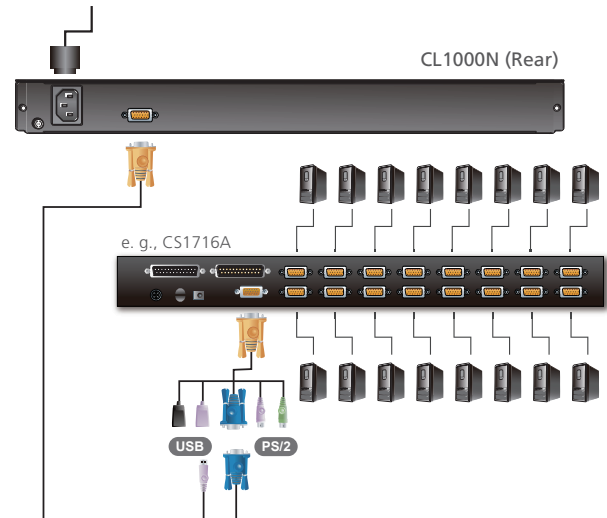
- The CL1000N is a LCD KVM console that features an integrated 19" LCD panel, full keyboard, and touchpad in a 1U rack-mountable housing. This model provides convenient 'at the rack' console access to KVM switches already installed at your site.



Computers	OS Support	NEW OS Support	LCD Monitor
PS/2, USB	Win, Linux, FreeBSD	Vista	19"

Features

- Integrated KVM console with a 19" LCD monitor in a sliding housing with top and bottom clearance for smooth operation in a 1U high system rack
- LCD module rotates up to 115° for a more comfortable viewing angle
- Improved design – optional single person installation kit
- Compatible with most KVM switches
- Internal power supply
- High video resolution:
 - Up to 1280 x 1024 @75Hz
 - Supports DDC, DDC2, DDC2B
 - DDC emulation of the LCD monitor – Video settings of attached computers are automatically adjusted for optimal output to the LCD monitor
- Keyboard language support: English (US); English (UK); French; German; German (Swiss); Italian; Japanese; Hungarian; Korean; Spanish; Swedish; Traditional Chinese; Russian



Rack Mount Kit	Depth (cm)
Long(Optional)	70 - 105
Short (Standard)	52 - 85

Easy Installation Rack Mount Kit	Depth (cm)
Long(Optional)	68 - 105
Short(Optional)	57 - 70

Specification

Function		CL1000 N
Connectors	KVM Ports Keyboard/ Video/Mouse	1 x SPHD-15 Female (Yellow)
	Power	1 x 3-prong AC Socket
Switches	LCD Adjustment	4 x Pushbuttons
	LCD Power	1 x Pushbutton
LEDs	CPU	1 (Green)
	Num Lock	1 (Green)
	Caps Lock	1 (Green)
Emulation	Keyboard/Mouse	1 (Green)
	Keyboard/Mouse	PS/2, USB (with 2L-52xxUP USB KVM cable)
Video		1280 x 1024@75Hz; DDC2B
I/P Rating		100-240 VAC; 50/60 Hz; 1A
Power Consumption		120 V, 21 W; 230 V, 24 W
Environment	Operating Temp.	0-50°C
	Storage Temp.	-20-60°C
	Humidity	0-80% RH, Non-condensing
Physical Properties	Housing	Metal+Plastic
	Weight	12.30 kg
	Dimensions (LxWxH)	58.50 x 48.30 x 4.40 cm

